

MODEL 1000 STABILISED POWER SUPPLY

- ! Low Cost
- ! Easy to Use
- ! Current Limited
- ! Short Circuit Proof
- ! 11 pin plug in
- ! Power LED

The model 1000 is a straight forward stabilised power supply designed primarily for 4-20mA current loops.

The standard output voltage is 24V DC however other voltages are available on request.

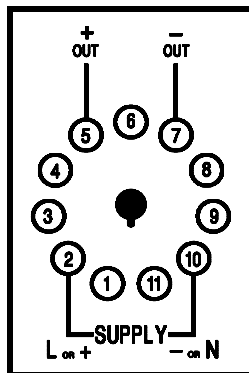
The circuit uses a linear regulator with current limiting designed to withstand a continuous short circuit on the output.

Available current limits are 30mA, 65mA, 130mA & 200mA.

The industry standard 11 pin configuration allows ease of installation and replacement in the field.



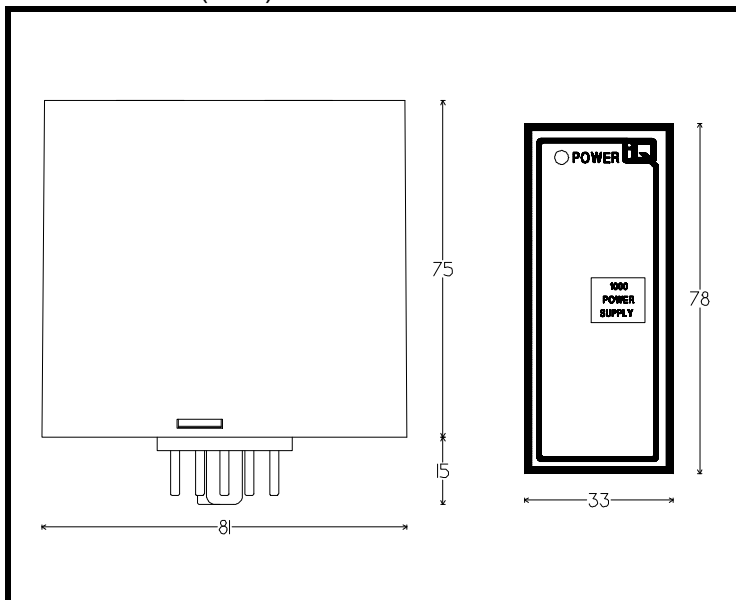
CONNECTIONS



SPECIFICATIONS

Power Supply	230V 50/60Hz 115V 50/60Hz
Output Voltage	24V DC \pm 0.1V
Ripple	20mV
Load Regulation	15mV ($\Delta I_L = 50\%$ of rated output)
Current Limit	30mA 65mA 130mA 200mA
Short Circuit Duration	5 minutes for 200mA Others indefinite
Operating Temperature	-5 to +60°C

DIMENSIONS (mm.)





21 Smuts Avenue
Cnr. Loch Avenue
Loch Vaal
Vanderbijlpark, 1911
S26°44'11.3" E027°42'32.0"
Cell: 083 525 1826
E-mail: iq@ph.co.za
<http://www.iqinstruments.co.za>

IQ INSTRUMENTS (Pty) Ltd