

MODEL 1100 SIGNAL CONVERTER

- ! Made in South Africa
- ! Choice of Signals
- ! Compact Size
- ! Versatile
- ! Low Cost
- ! Plug In

The model 1100 Signal Converter is a solid state device, incorporating the latest technology, which is designed to accept inputs of voltage, current or resistance changes and convert these to standard transmission signals.

Current outputs are normally sourced from an on-board unregulated 24V power supply, however it is possible to sink from an external power supply.

Typical primary elements include RTD'S, thermocouples and thermistors. RTD's and thermocouples are linearised as standard and cold junction compensation is provided for thermocouple inputs.

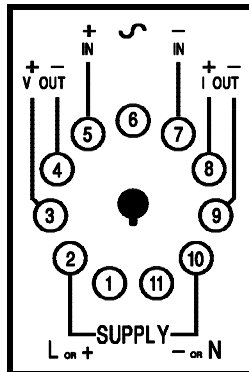
Conversion from one transmission signal to another is also possible, as is transmission signal expansion.

The amplifier is mounted on a single printed circuit board housed in a thermoplastic case with an integral 11 pin connector for ease of mounting and electrical connection. The front of the unit has a power indication LED and access to the calibration adjustments to allow recalibration in the field.

The input and output of this unit are not galvanically isolated. For applications where isolation is essential we recommend the model 1120 isolator.



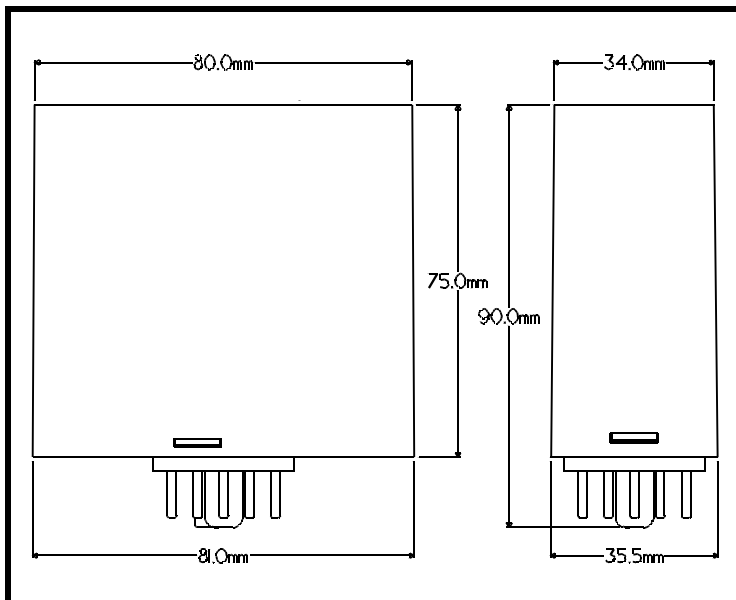
CONNECTIONS



SPECIFICATIONS

INPUT SIGNAL Options	mV, Volts mA, Amps Thermocouple 2 & 3-wire RTD Potentiometer To customer order
OUTPUT SIGNAL Options	0-1mA 0-10mA 4-20mA 0-20mA 1-5V 0-10V To customer order
POWER SUPPLY Options	110V 50 Hz. 220V 50 Hz.
POWER CONSUMPTION	3VA approx.
TEMPERATURE LIMITS	-5/+60°C
HUMIDITY LIMITS	0-90% RH non condensing
BASIC ACCURACY % of span	Linear $\pm 0.2\%$ RTD $\pm 0.25\%$ T/C (J,K,N) $\pm 0.5\%$ ($\pm 1\text{EC}$) (R,S,T) $\pm 1\%$ ($\pm 1^\circ\text{C}$)

DIMENSIONS



21 Smuts Avenue
Cnr. Loch Avenue
Loch Vaal
Vanderbijlpark, 1911
S26°44'11.3" E027°42'32.0"
Cell: 083 525 1826
E-mail: iq@ph.co.za
<http://www.iqinstruments.co.za>

IQ INSTRUMENTS (Pty) Ltd