

MODEL 1200 DUAL TRIP AMPLIFIER

- ** Programmable Relay Action
- ** Made in South Africa
- ** Choice of Inputs
- ** Integral 24V PSU
- ** Low Cost
- ** Plug In

The model 1200 Dual Alarm Module is designed to accept a choice of electronic input signals and to provide two independent voltage free change over contacts at preset levels.

The unit may be used to provide alarm, trip, control and interlocking functions.

All the circuit components are mounted on printed circuit boards housed in a compact thermoplastic housing, which incorporates a standard 11 pin plug to facilitate mounting and electrical connections.

Two set point potentiometers are located on the front of the unit. A 0-100% scale is provided to facilitate setting the switching points. Other scales are available to order.

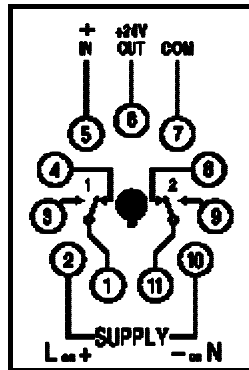
Power and relay L.E.D's are also mounted on the unit front to indicate status.

Two DIP switches are provided on the front panel to select whether the relays energise or de-energise on a rising input signal.

This unit has a built-in current limited 24 volt DC power supply to power a two wire electronic transmitter if required.

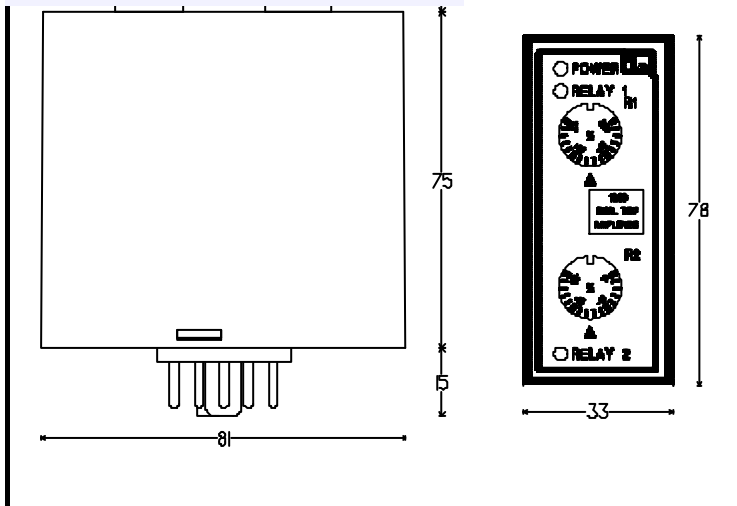


CONNECTIONS



SPECIFICATIONS

INPUT SIGNAL Options	4-20mA 0-20mA 1-5V DC 0-10V DC To customer order
RELAY RATING	10A 380V 2500VA 10A 30V DC
POWER SUPPLY Options	115V 50/60 Hz. 230V 50/60 Hz.
POWER CONSUMPTION	4VA approx.
TEMPERATURE LIMITS	-5/+60°C
HUMIDITY LIMITS	0-90% RH non condensing
SETTING ACCURACY	5% Typical
REPEATABILITY	< 0.5%.



21 Smuts Avenue
Cnr. Loch Avenue
Loch Vaal
Vanderbijlpark, 1911
S26°44'11.3" E027°42'32.0"
Cell: 083 525 1826
E-mail: iq@ph.co.za
<http://www.iqinstruments.co.za>

IQ INSTRUMENTS (Pty) Ltd