

MODEL 1800 LINEAR INTEGRATOR

FEATURES

- ! Made in South Africa
- ! Easy Installation
- ! Choice of Signals
- ! Compact Size
- ! Versatile
- ! Low Cost
- ! Plug In

The model 1800 is designed to accept a current (or voltage) input and convert this to a train of pulses whose frequency is linearly related to the input amplitude.

Although designed primarily for 4-20mA inputs, a number of input options are available as standard, and many special ranges can be provided to customer requirements.

A standard 11 pin plug-in format ensures ease of installation and maintenance.

Typical applications include integration for flow monitoring, and voltage to frequency conversion.

Two basic variations are available, one having a relay output with a 250mSec pulse duration for low frequency applications (below 1 pulse/sec) and the other having an optically coupled square wave output for high frequency applications (up to 20KHz).

A 10 position rotary switch and trimmer provide an adjustment range of better than 1000:1.

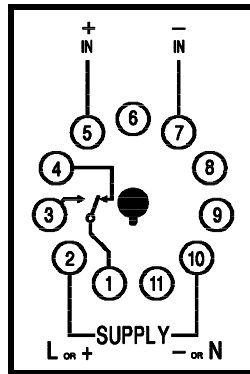
The basic linearity of this unit is better than 0.1% of span.

Pre-calibration to customer requirements is available at no additional cost.

This unit is only available for AC supplies.



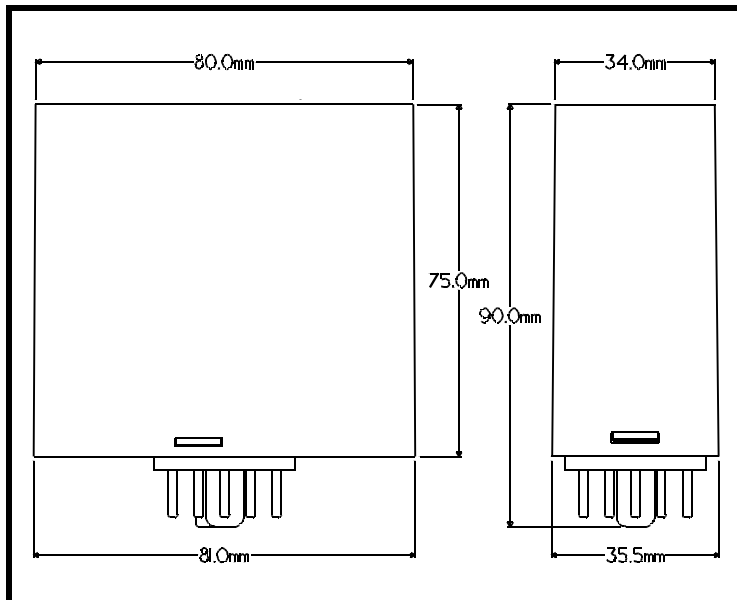
CONNECTIONS



SPECIFICATIONS

INPUT SIGNAL Options	DC Volts DC mA To customer order
OUTPUT SIGNAL Options	SPDT Relay 1A @ 110V AC From 1 pulse per 1000secs to 1 pulse per sec at span.
Relay Output	
OUTPUT SIGNAL Options	NPN opto transistor 10mA @ 30V DC From 1Hz to 20KHz at span.
Opto Output	
POWER SUPPLY Options	110V 50 Hz. 230V 50 Hz.
POWER CONSUMPTION	3VA approx.
TEMPERATURE LIMITS	-5/+60°C.
HUMIDITY LIMITS	0-90% RH non condensing
BASIC ACCURACY % of span	< +/- 0.2% < +/- 0.1% linearity

DIMENSIONS



21 Smuts Avenue
Cnr. Loch Avenue
Loch Vaal
Vanderbijlpark, 1911
S26°44'11.3" E027°42'32.0"
Cell: 083 525 1826
E-mail: iq@ph.co.za
<http://www.iqinstruments.co.za>

IQ INSTRUMENTS (Pty) Ltd