

# MODEL 2262

# 4- 20mA TRANSMITTER FOR pH/ORP ELECTRODES

- ! Easy Installation
- ! Robust Construction
- ! Low Cost
- ! ATC (Automatic Temperature Compensation)
- ! Excellent RF Immunity

The Model 2262 is a loop powered 4-20mA transmitter designed to mount in thermocouple head assemblies.

A pipeline pH or ORP electrode is screwed into the bottom of the head assembly and the leads directly attached to the transmitter, providing a simple method to transmit a pH/ORP signal to a remote instrument or control room.

The pipeline electrode requires an integral temperature sensor to provide precise temperature compensation. For applications where temperature compensation is not required, a suitable value resistor may be connected instead.

The components are encapsulated in a 43mm diameter plastic housing with mounting holes to suit both DIN and ANSI (KH) heads.

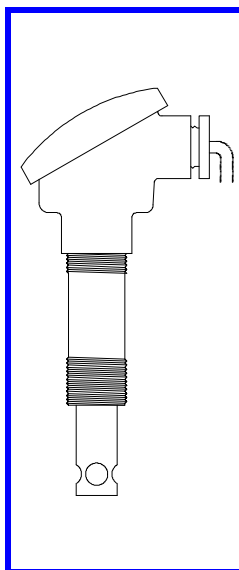
Standardize and Slope adjustments are provided for customer calibration and a LED indicates correct operation. The brightness of the LED varies with the output current.

Reverse polarity protection on the 4-20mA terminals prevents damage in the event of power supply reversal.

The input and output of this unit are not isolated from each other. For applications where a ground loop may result (eg. With PLCs and other distributed systems) we recommend the use of our model 1120 isolator module which also provides a suitable loop power supply.



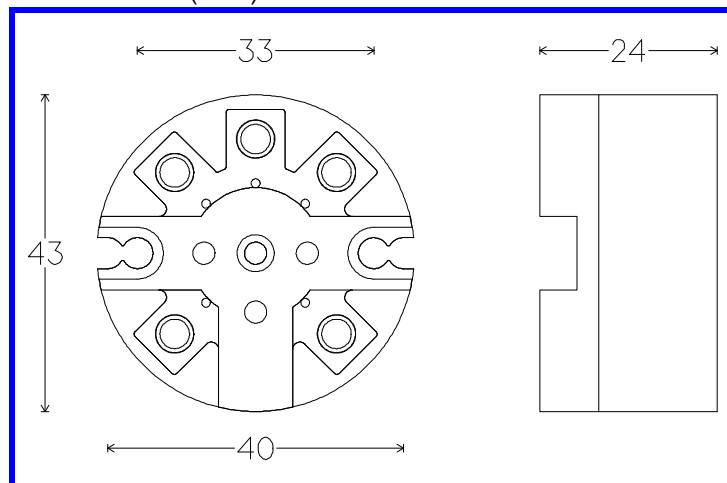
## APPLICATION



## SPECIFICATIONS

POWER SUPPLY	10-32V DC
OUTPUT SIGNAL	4-20mA
INPUT	Any standard pH/ORP combination electrode
INPUT IMPEDANCE	>30GO
RANGE (options)	pH 0~14, 2~12, 4~10pH ORP -1000~ +1000mV
ADJUSTMENT	Standardize $\pm 60$ mV ( $\pm 1$ pH) Slope 50% - 105% of nominal electrode output
ACCURACY	< $\pm 0.2\%$ F.S. typical
TEMPERATURE COMPENSATOR	Pt100 Standard Pt1000, Ni3000 optional
OPERATING TEMPERATURE	-5 to +65°C
AMBIENT HUMIDITY	0 to 90% RH Non Condensing

## DIMENSIONS (mm.)



21 Smuts Avenue  
Cnr. Loch Avenue  
Loch Vaal  
Vanderbijlpark, 1911  
S26°44'11.3" E027°42'32.0"  
Cell: 083 525 1826  
E-mail: iq@ph.co.za  
<http://www.iqinstruments.co.za>

**IQ INSTRUMENTS (Pty) Ltd**