

MODEL 400M & 450

DIESEL ENGINE STARTERS

- Made in South Africa
- ASIB Approved (400M)
- 11 pin Plug-In
- Compact Size
- Simple to use

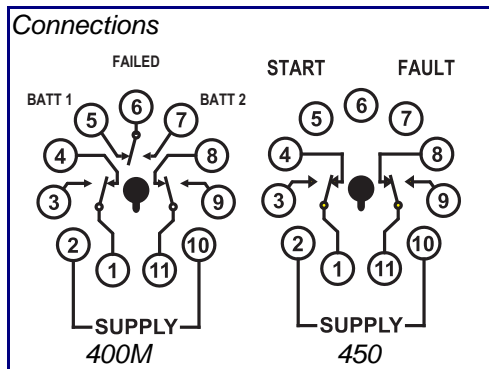
The model 400M and 450 are timer/counters designed for automatic starting of stationary diesel engines. Because of the wide operating voltage range, one unit covers both 12V and 24V operation.

The starter motor is alternately cranked and rested for a predetermined number of start attempts. Engine start is detected by another module such as the model BX136 which is used to disconnect the 400M or 450. Should the module complete a full sequence of start attempts without an engine start an alarm contact is made.

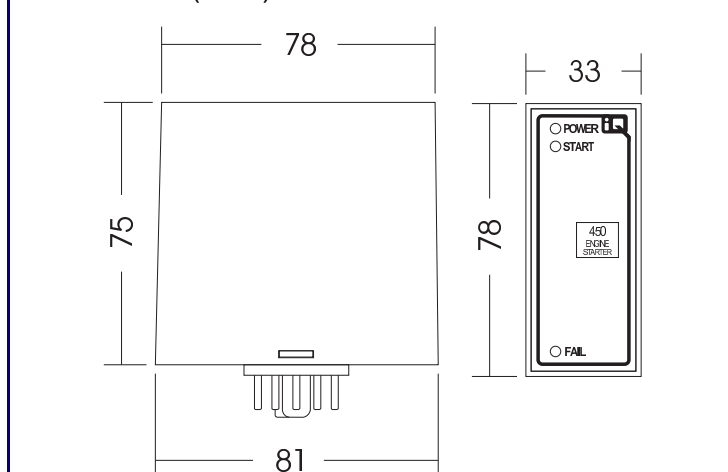
The model 400M works with dual batteries for critical applications such as sprinkler pumps. Start attempts alternate between the two batteries. The non-volatile memory remembers which battery was last used so the next start attempt is always made on the other battery.

The model 450 works with a single battery and is used for less critical applications like generators.

Non standard times and counts are available to special order.



Dimensions (mm.)



Specifications

POWER SUPPLY	10 ~ 30V DC
POWER CONSUMPTION	Approx. 2W @ 12V DC Approx. 4W @ 24V DC
RELAY CONTACTS	SPDT 10A 250VAC 2500VA Max. 10A 30VDC 300W Max.
START ATTEMPTS	Model 450 = 3 Model 400M = 6
CRANK TIME	Model 450 = 10 seconds Model 400M = 15 seconds
PAUSE TIME	Model 450 = 10 seconds Model 400M = 7 seconds
TIMING ACCURACY	± 2%
OPERATING TEMPERATURE	-5 - +75°C
OPERATING HUMIDITY	0-90% RH Non-Condensing

**21 Smuts Avenue
Cnr. Loch Avenue
Loch Vaal
Vanderbijlpark, 1911
S26°44'11.3" E027°42'32.0"
Cell: 083 525 1826
E-mail: iq@ph.co.za
http://www.iqinstruments.co.za**

IQ INSTRUMENTS (Pty) Ltd