

MODEL 500 & 520

LOGIC RELAYS

- Made in South Africa
- 11 pin Plug-In
- Compact Size
- Low Cost

This series of products allows a power relay to be controlled from a small potential free contact such as a microswitch or reed switch.

To ensure reliable operation with various contact materials a current of 3mA is used. This current is high enough to ensure a proper self cleaning action on silver contacts.

The model 500 features flip-flop operation. Closing the contact alternately energises and de-energises the relay. This unit has no non-volatile memory so that on power up it always starts with the relay de-energised.

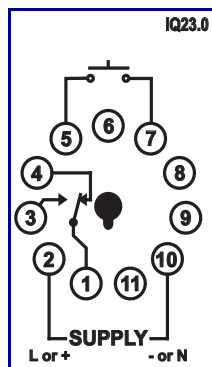
The model 520 has no flip flop action the relay tracks the status of the switch.

Both units feature the same input circuit which has a 50Hz low pass filter to minimise interference from mains wiring. The filter restricts the maximum operating frequency to approximately 10Hz.

LEDs are provided to indicate "Power On" and "Relay On".

The standard unit has a SPDT 10A relay. A DPDT 5A relay is available as an option.

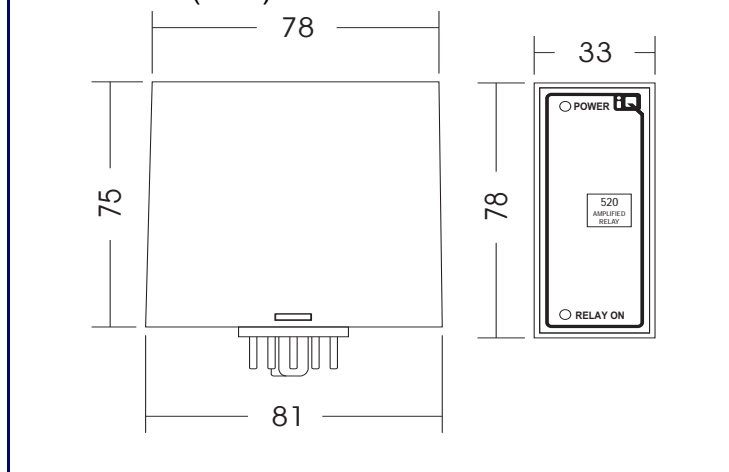
Connections



Specifications

POWER SUPPLY options	12V 24V 115V 230V 50/60Hz 12V 24VDC Non standard voltages available to special order.
<i>Please specify</i>	
POWER CONSUMPTION	AC supplies approx. 3VA DC supplies approx. 1.5W
RELAY CONTACTS Model 500 & 520	SPDT 10A 250VAC 2500VA Max. 10A 30VDC 300W Max.
RELAY CONTACTS Model 502 & 522	DPDT 5A 250VAC 1250VA Max. 5A 30VDC 150W Max.
SWITCH CURRENT	3mA
SWITCH VOLTAGE	12V DC
MAXIMUM OPERATING FREQUENCY	10Hz

Dimensions (mm.)




21 Smuts Avenue
Cnr. Loch Avenue
Loch Vaal
Vanderbijlpark, 1911
S26°44'11.3" E027°42'32.0"
Cell: 083 525 1826
E-mail: iq@ph.co.za
<http://www.iqinstruments.co.za>

IQ INSTRUMENTS (Pty) Ltd