

## IQ4 SERIES

## DIGITAL INDICATORS WITH RELAY OUTPUT

- ( 4 Digit Microprocessor Based
- ( Economically Priced
- ( Made in South Africa
- ( Easy to use
- ( 2 year warranty

The IQ4 range of microprocessor based digital panel meters features a 4 digit LED display and is supplied in an industry standard 96mm x 48mm format.

For ease of maintenance, the whole instrument unplugs from its case without the necessity to disconnect any wiring.

This versatile product range includes inputs such as AC or DC volts, thermocouple, Pt100 and process signals.

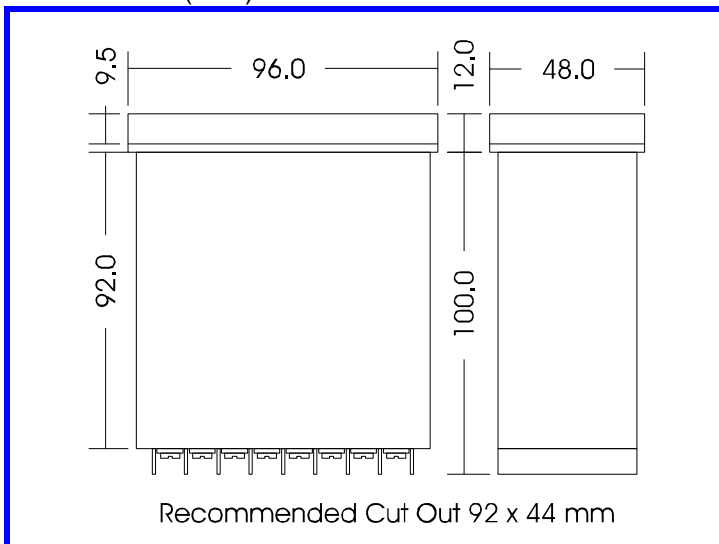
Optional extras include up to two relays, two power supplies and an isolated retransmit. Power supplies and retransmit signals are current limited to prevent accidental damage to the instrument and ancillary equipment.

All features are user programmable from the front panel including set points, relay hysteresis, relay response time and calibration. Process inputs (eg. 4~20mA) may be scaled within the range -999 to +9999 for direct reading of process variables.

Special firmware options are available on request including control functions and custom linearization.

The 4~20mA instrument with integral 24V DC power supply may be used with a wide range of loop powered transmitters to provide economical monitoring and control of many industrial processes including temperature, level, pH, and vibration.

### DIMENSIONS (mm.)



### BASIC SPECIFICATIONS

POWER SUPPLY	115V 50/60Hz 230V 50/60Hz 24V 50/60Hz 24V DC Isolated
POWER CONSUMPTION	3 - 6VA depending on options selected
DISPLAY READING	User programmable from -999 to +9999
INPUT	Thermocouple J, K, N, R, S, T Pt100 0/4-20mA, 0/1-5V, 0/2-10V, 0-1mA AC volts true RMS AC amps true RMS
ACCURACY	± 0.25% of span ± 1 digit
REPEATABILITY	± 0.2% of span ± 1 digit
OPERATING TEMPERATURE	-5 to +65°C
OPERATING HUMIDITY	0 to 90% RH Non Condensing
RELAYS -SPDT	AC 5A 250V 1250VA DC 5A 30VDC



21 Smuts Avenue  
Cnr. Loch Avenue  
Loch Vaal  
Vanderbijlpark, 1911  
S26°44'11.3" E027°42'32.0"  
Cell: 083 525 1826  
E-mail: iq@ph.co.za  
<http://www.iqinstruments.co.za>

**IQ INSTRUMENTS (Pty) Ltd**